

# ALGOR

## AUM580-44SS Sink

Top-Mount, Undermount



### DIMENSIONS

580 x 440 x 200/140 mm

### CUTOUT

Undermount: 335 x 400 mm + 180 x 400 mm

### DESIGN AND MATERIALS

Material: Stainless Steel

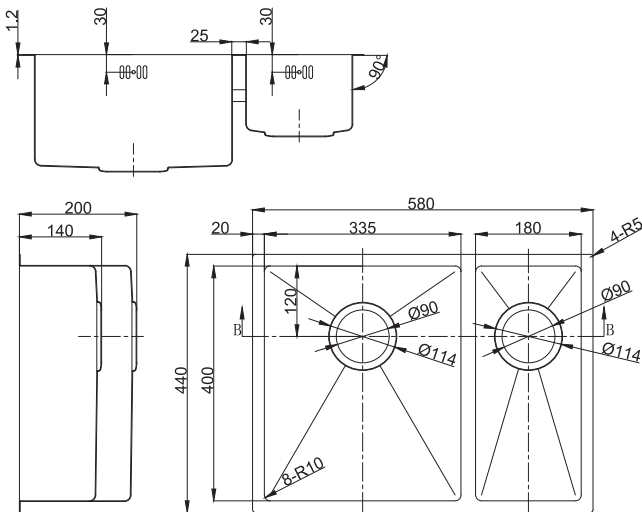
### FEATURES

Double bowl sink, Left high-right low. Two over flows

Thickness: 1.0 mm

Finishing: SS original

Corner: Radius 10



Stainless Steel  
SKU:

Despite careful data management, our brands reserve the right to make changes, and discrepancies may occur.

## MVP APPLIANCES

Head Office / Showroom Dubai  
PO Box 37959, Dubai  
+971 4 380 9490

Showroom Abu Dhabi  
PO Box 28239, Abu Dhabi  
+971 2 444 6160

Service Center  
UAE 600 555 602



MVPAPPLIANCES.COM