



ALGOR

ATSB50-445SS Sink

Top-Mount, Undermount

DIMENSIONS

500 x 440 x 220 mm

CUTOUT

Topmount: 480 x 420 mm x R15

Undermount: 475 x 415 mm x R20

DESIGN AND MATERIALS

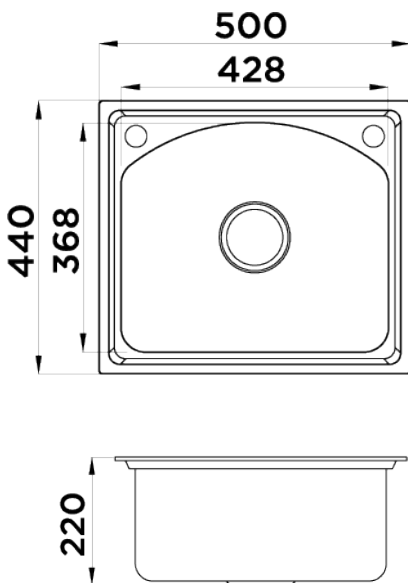
Material: SS304 Stainless steel

FEATURES

Single bowl with sound pad and undercoating

Thickness: 0.8 mm

Finishing: Brushed surface



 **COLOR / FINISH**
Stainless steel

Despite careful data management, our brands reserve the right to make changes, and discrepancies may occur.

MVP APPLIANCES

Head Office / Showroom Dubai
PO Box 37959, Dubai
+971 4 380 9490

Showroom Abu Dhabi
PO Box 28239, Abu Dhabi
+971 2 444 6160

Service Center
UAE 600 555 602



MVPAPPLIANCES.COM