

ALGOR

AUMS820-428SS AUMS820-428BK Sink

Undermount

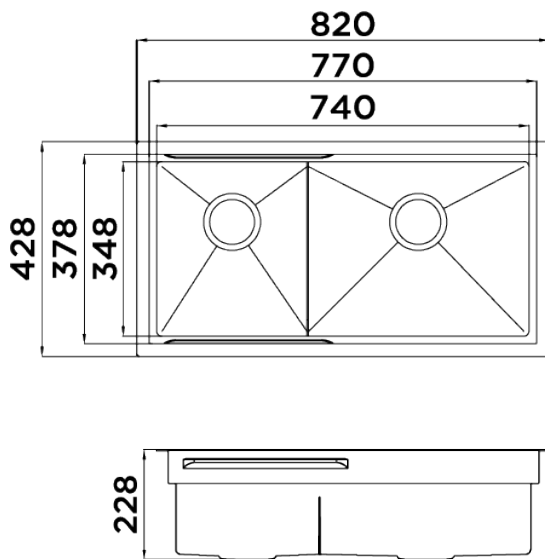


DIMENSIONS

820 x 428 x 228 mm

CUTOUT

Undermount: 773 x 381 mm x R12



DESIGN AND MATERIALS

Material: SS304 Stainless steel

FEATURES

Double bowl with sound pad and undercoating
Thickness: 1.0 mm
Finishing: Brushed surface
Corner: Radius 10
BL 1.0 New design slide lip

ACCESSORIES

Drainer
Colander
PC basin
Chopping board
Grid
Rollmat
Wire basket
PC Colander
Sapele chopping board

FINISH

Available in 2 colors



Stainless steel



Black

Despite careful data management, our brands reserve the right to make changes, and discrepancies may occur.

MVP APPLIANCES

Head Office / Showroom Dubai
PO Box 37959, Dubai
+971 4 380 9490

Showroom Abu Dhabi
PO Box 28239, Abu Dhabi
+971 2 444 6160

Service Center
UAE 600 555 602



MVPAPPLIANCES.COM