



ALGOR

AG7NM30TO

Built-In Electric Oven 60 cm

Multi-Function, Catalytic, Fast Preheating



DIMENSIONS

External dimensions

W: 595 mm

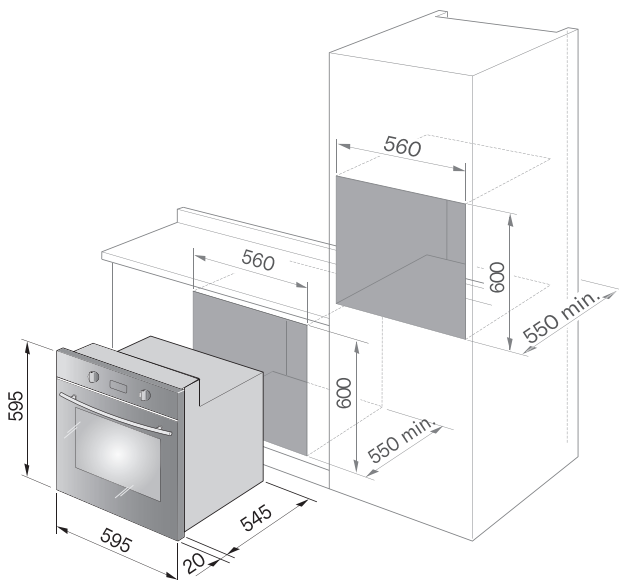
H: 595 mm

D: 565 mm

VOLUME

GROSS

Gross cavity 81 l



FEATURES

- 13 Multifunction
- 72 l ceramic cavity
- LED full touch control
- Forced cooling system
- 2 Cavity lighting
- 3-Layer full glass door
- Catalytic side panels
- Easy removable inner door glass
- ECO function
- Fast preheating
- Child safety lock
- Telescopic tray
- Timer

SPECIFICATIONS

- Energy rating A+
- Max power 2900W
- Voltage 220-240 volt 50-60Hz
- Temperature range 30-250°C

ACCESSORIES

- 2 Enamel baking tray
- 1 Grill rack
- 1 Meat probe
- 1 Rotisserie stick

FINISH
Black glass

MVP APPLIANCES

Head Office / Showroom Dubai
PO Box 37959, Dubai
+971 4 380 9490

Showroom Abu Dhabi
PO Box 28239, Abu Dhabi
+971 2 444 6160

Service Center
UAE 600 555 602



MVPAPPLIANCES.COM